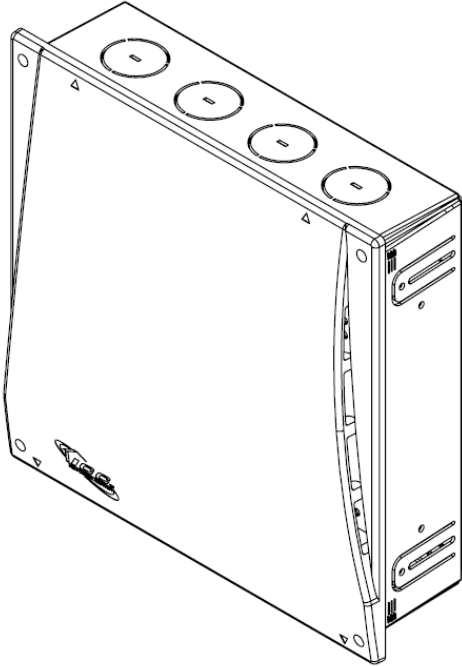


14" Plastic Net Media Center



Package Includes:

- A. 14" Plastic Net Media Center, **1 Piece**
- B. Net Media Center Plastic Cover, **1 Piece**
- C. Cardboard Protective Cover, **1 Piece**
- D. 6-32 x 7/8", Pan Head. Tapping Screw, Phillips, Zinc Plated Steel, **4 Pieces**
- E. Wiring Location Sheet, **1 Piece**
- F. Installation Instruction Sheet, **1 Piece**

Features and Benefits

- Designed to serve as the central distribution point for voice, data, video, audio, and security services
- Allows for internal modules to be mounted horizontally or vertically facilitating layout and wiring of systems, while providing optimum cable management.
- Works with connectivity modules with push and pull fasteners
- Snap-in system enables users to quickly insert or move internal modules
- Supports up to 4 ICCMSCMPT1 or ICCMSCMPT2 Cable Management Rings for organization and cable routing
- Includes 4 Top, 3 Bottom knockouts for routing cables and 4 tie points.
- Includes a 2 knockouts for optional AC power outlets (Not included) to provide power distribution.
- Build with ABS plastic, lightweight, and sturdy
- Fits between 16" studs or can be wall mounted
- Depth mark on the enclosure simplifies adjustment for drywall depths (1/2", 5/8", 3/4")
- Enclosure combos are not designed to be installed in firewall applications
- The cover snaps on and can be screwed down
- Accommodates all of ICRESXXXX residential modules
- Used with optional accessories including ICRSDCAC2 distribution center rubber grommets.
- Complies with ETL, TIA-568-C, TIA-570-B and TIA-607 standards

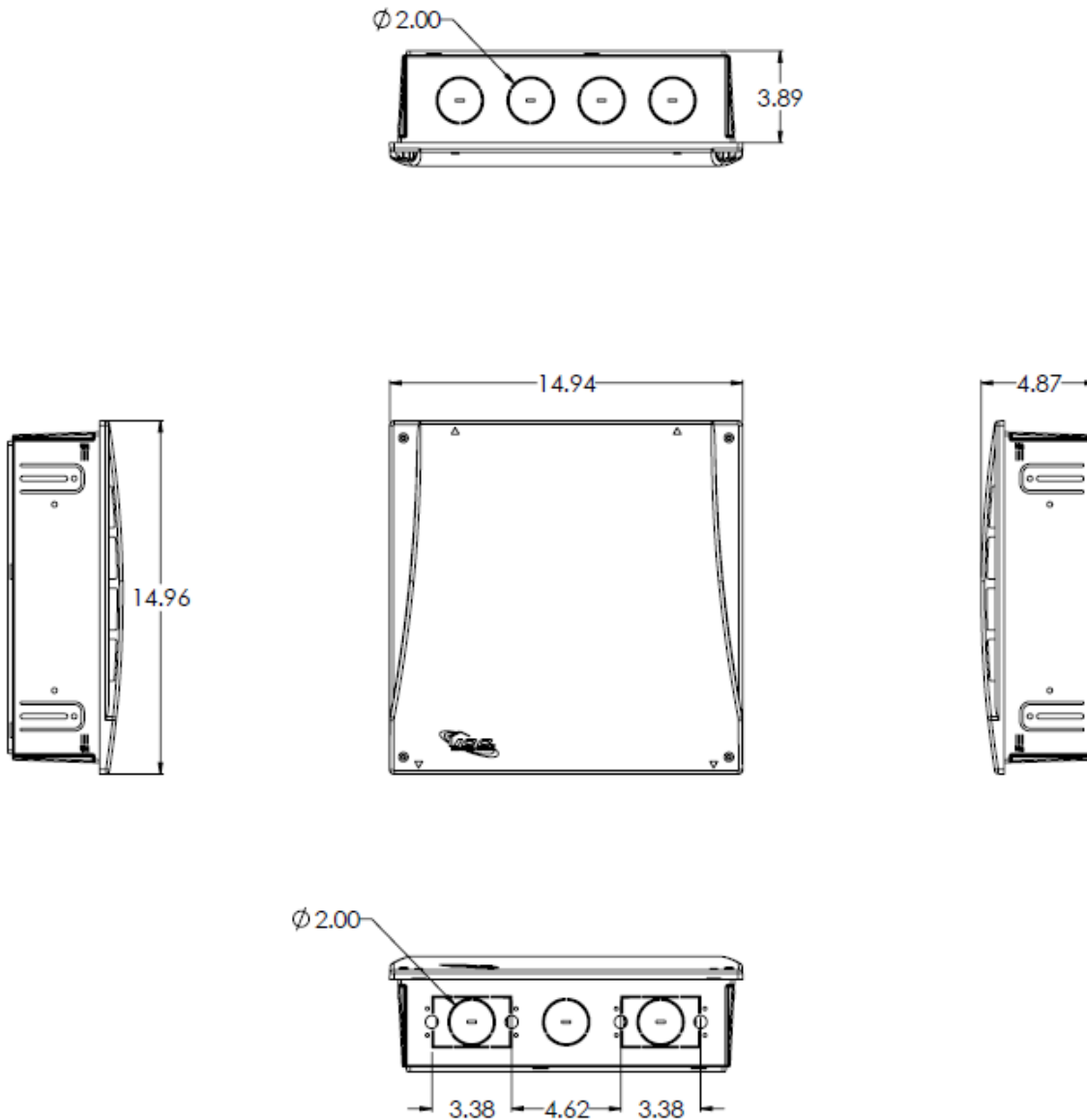
Part No: ICRESDP14E

Rev: A

Page 1 of 2

icc.com | cs@icc.com





NOTE: UNLESS OTHERWISE SPECIFIED

- Material: ABS, UL 94V-0
- Color: White
- Finish: Matte

Part No: ICRESDP14E
Rev: A
Page 2 of 2

icc.com | cs@icc.com

