



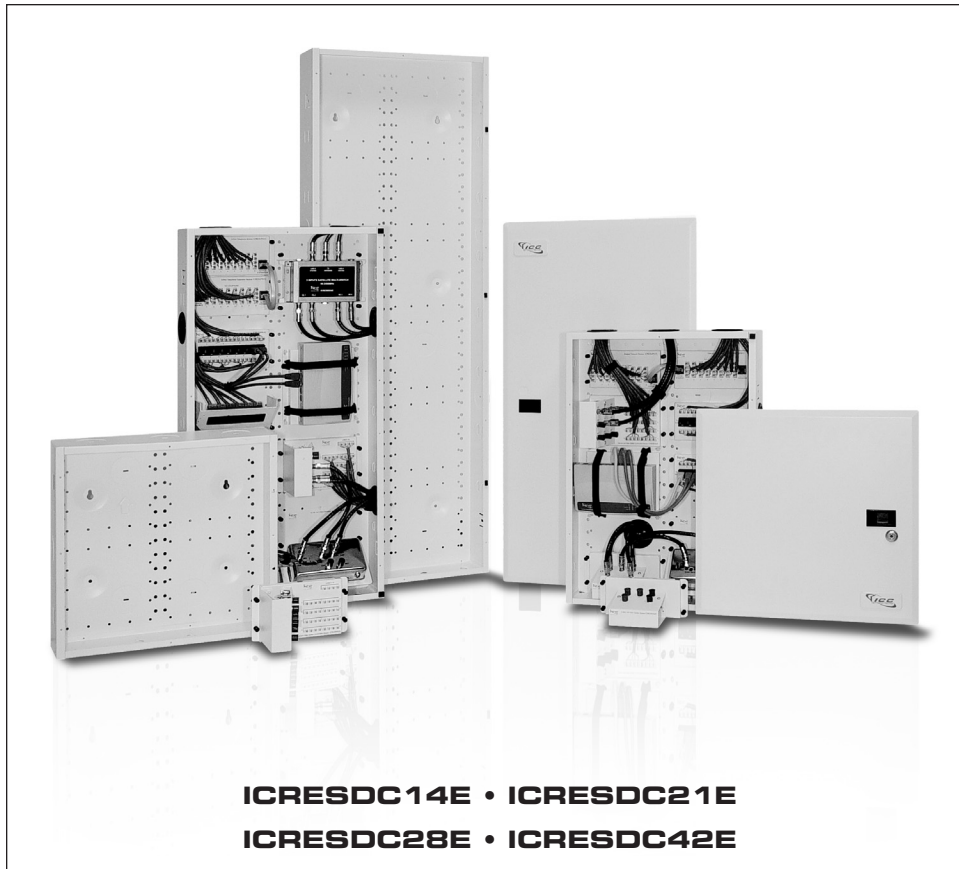
# Net.Media Center

## PRODUCT MANUAL



Structured Cabling Solutions

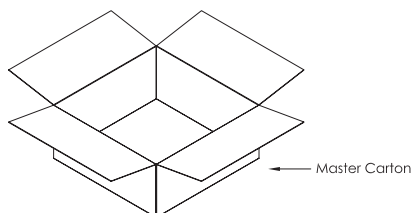
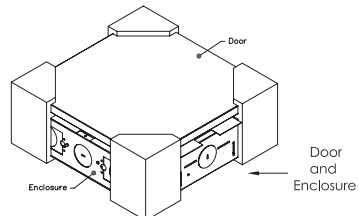
*Premium*Products • *Proven*Performance • *Competitive*Prices



**ICRESDC14E • ICRESDC21E**  
**ICRESDC28E • ICRESDC42E**

## Package Content

### Contenido



All Net.Media Centers include the following components in its package:  
(Note: ICRESDC14E is shown for illustration purposes).

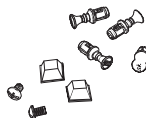
Todos los Net.Media Centers incluyen los siguientes componentes:  
(Nota: ICRESDC14E se encuentra ilustrado).

#### 1. Door Package Includes:

- One (1) Door Assembly with hinge, latch, and logo
- *Un (1) conjunto de puerta con bisagra, picaporte, y logo*

#### Bagged Items/Contenido en bolsa:

- Two (2) Door Screws
- *Dos (2) Tornillos para puerta*
- Two (2) Rubber Bumpers
- *Dos (2) Bumpers de cuacho (ULE)*
- Four (4) Fasteners
- *Cuatro (4) Cierres*

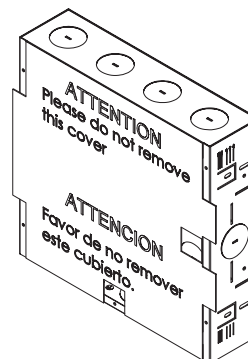
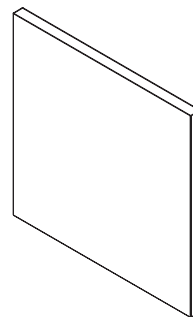


#### 2. Enclosure Package includes:

- One (1) Enclosure
- *Una (1) caja*
- One (1) Protective Cover
- *Una (1) cubierta protectora*

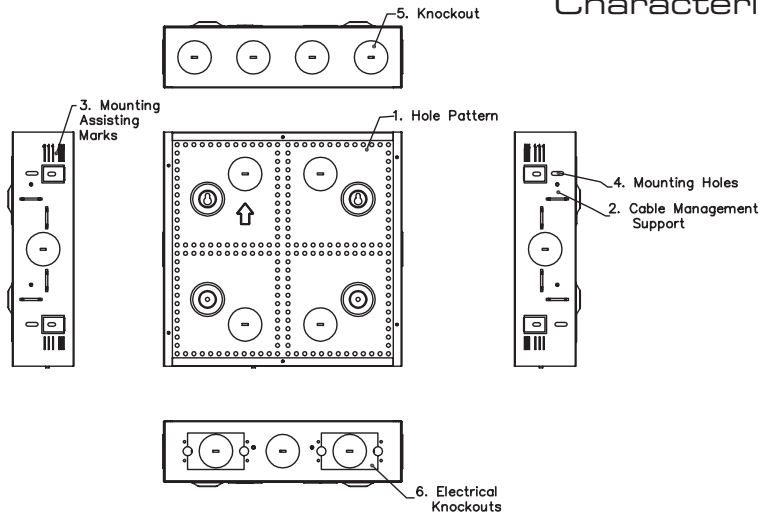
#### Bagged Items/Contenido en bolsa:

- Four (4) Rubber Grommets
- *Cuatro (4) Ojales de cuacho*
- Four (4) Mounting Screws
- *Cuatro (4) Tornillos de Montar*



## Features

### Características



#### 1. Hole Pattern

Can be used to mount equipment vertically or horizontally for maximum accommodations.

#### 2. Cable Management Support:

Organize and route cable along the sides of the enclosure for a clean appearance using items ICCMSCMPR1 or ICCMSCMPR2. (sold separately) (Note: It is recommended to use only one side of the enclosure when mounting the Cable Management Rings. Cable Management Rings sold separately).

#### 3. Mounting Assistance Marking:

Assist in determining the mounting distance the enclosure needs to be mounted from the finished wall. Markings indicate drywall/sheetrock thickness. Enclosure shall be aligned with the wood or metal studs accordingly prior to drywall/sheetrock application.

#### 4. Mounting Holes

Mounting holes are found along the sides of the enclosure that suit different mounting configurations.

#### 5. Knockouts:

Knockouts are conveniently placed on all sides of the enclosure for cable management.

#### 6. Electrical Knockout:

A set of electrical knockouts are located at the bottom of the enclosure for mounting up to 4 electrical outlets.

#### 1. Serie de Hoyos

Puede montar modulos vertical y horizontal para acomodar el maximo en la caja.

#### 2. Anillos para Manejar Cable:

Organize y dirija cable sobre las orillas de la caja para obtener una installation limpia y presentadora.

(Nota: Se recomienda usar un lado de la caja para instalar los Cable Management Rings. Cable Management Rings se venden separados).

#### 3. Marcas en Asistencia Para Montar

Asisten para montar la caja dependiendo el grosor de la pared deseada. La caja se debe alinear con las marcas de montar y los postes de madera or metal.

#### 4. Hoyos para montar

Hoyos de montar se encuentran a los lados de la caja para montar la caja dependiendo la configuracion usada.

#### 5. Knockouts

Knockouts se encuentran por los lados de la caja para organizar cable.

#### 6. Knockout Electricas

Un par de Knockout Electricas se encuentran en la parte bajade de la caja para instalar 4 enchifes electricos.

## Installation

### Instalacion

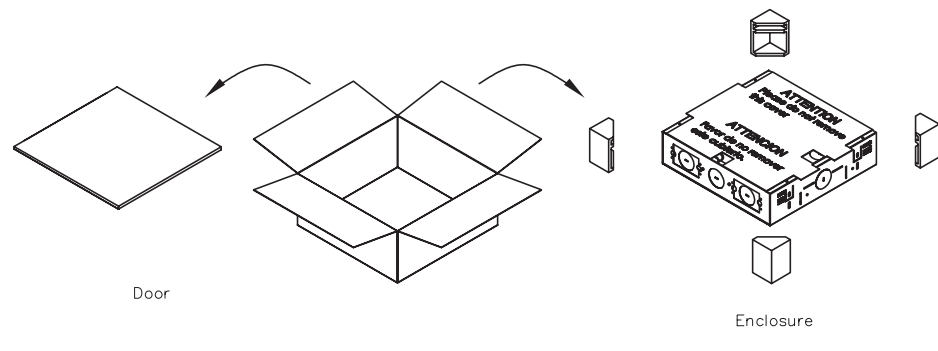
#### STEP 1

Remove the enclosure from the master carton.

NOTE: Store the door package in a safe location to prevent loss or damage if not being installed right away.

*Remueve la caja de su carton.*

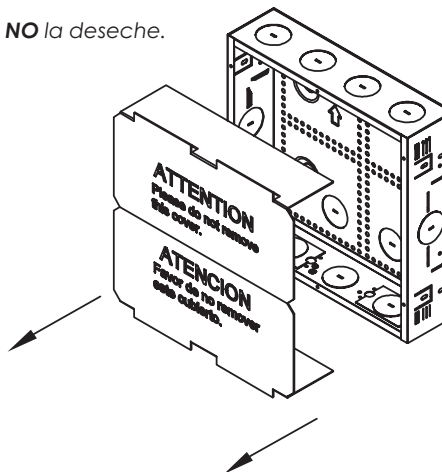
*NOTA: Guarde la puerta en un lugar seguro para prevenir perdida y daños si no es instalada inmediatamente.*



#### STEP 2

A. Remove the Protective Cover, but **DO NOT** discard the cover.

*Remueva la cubierta protectora pero **NO** la deseche.*

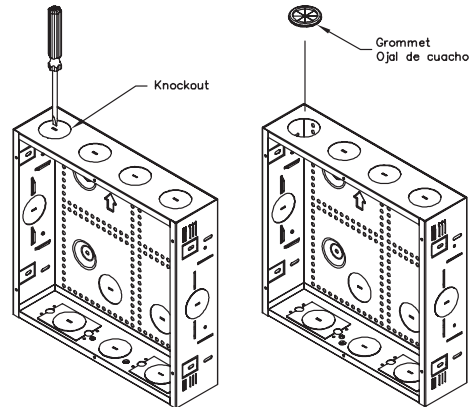


## Installation Instalacion

### STEP 3

- Determine the amount of knockouts to be used.
- Remove the knockouts that will be used from the top, bottom, and sides of the enclosure.
- Use a flat head screwdriver to remove the knockout.
- Insert the rubber grommets in the knockout opening to protect cables from being damaged.

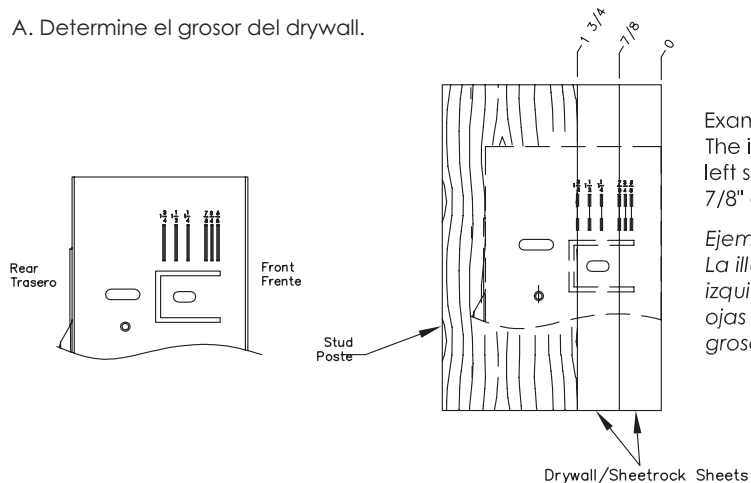
- Determine cuantos knockouts se van a usar.*
- Remueve los knockouts de arriba, abajo, y los lados de la caja.*
- Use un destornillador para remover los knockouts.*
- Instale los ojales de cuacho para proteger el cable de daños.*



### STEP 4

- Determine the thickness of the drywall application.

- Determine el grosor del drywall.*



Example:

The illustration to the left shows two (2) 7/8" drywall sheets.

Ejemplo:

La ilustracion a la izquierda muestra dos ojas de drywall con grosor de 7/8"

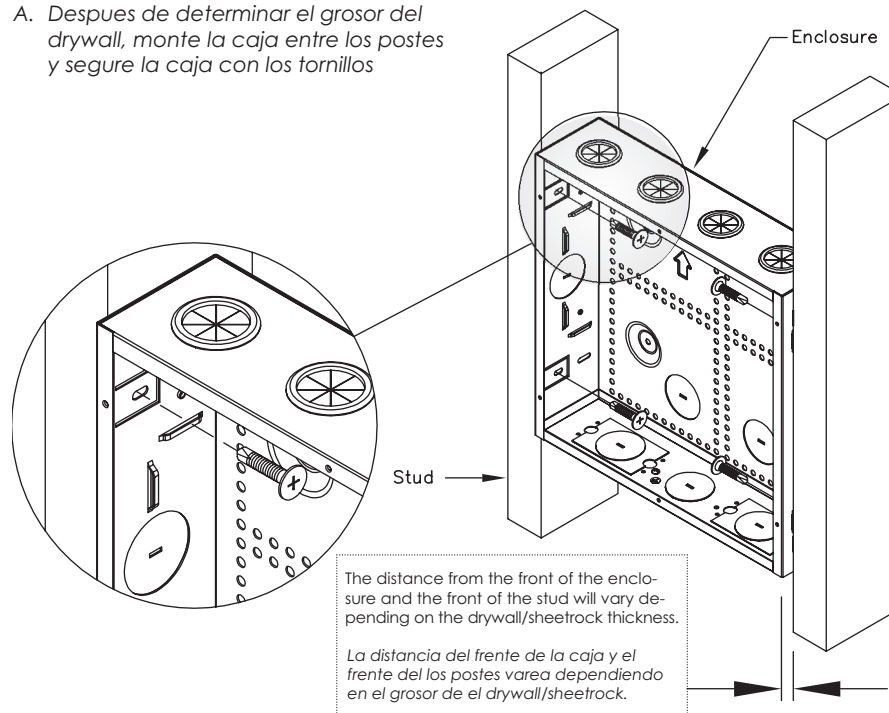
## Installation

### Instalacion

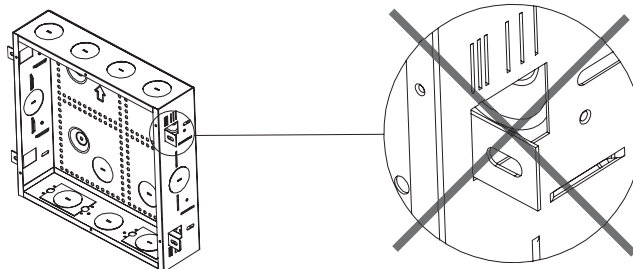
#### STEP 5

A. After determining the thickness of the drywall, mount the enclosure between the studs and secure the enclosure with the mounting screws provided in the desired position.

A. *Despues de determinar el grosor del drywall, monte la caja entre los postes y segure la caja con los tornillos*



**ATTENTION: It is NOT recommended to bend out the tabs to mount the enclosure.**

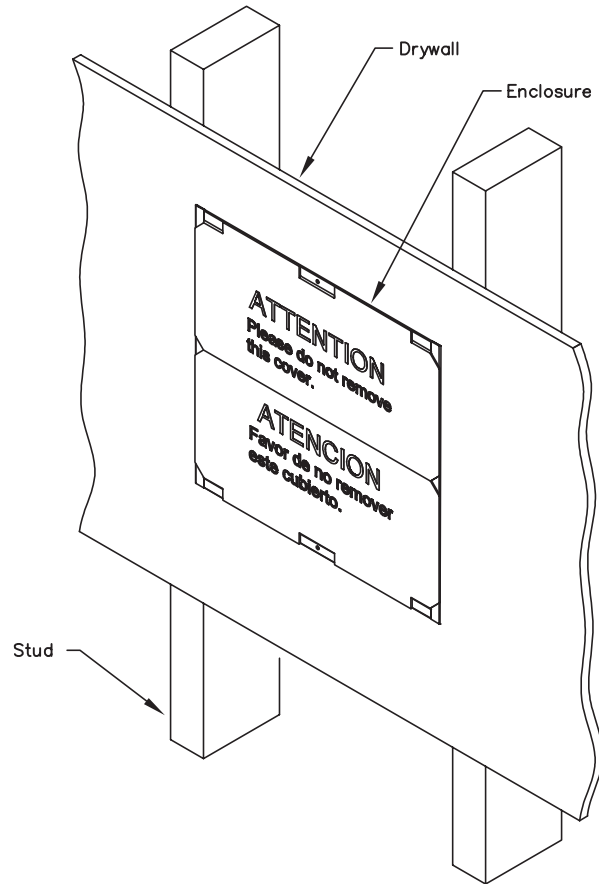


## Installation

### Instalacion

#### STEP 6

- A. After securing the enclosure between studs, place the protective cover back onto the enclosure. The protective cover helps maintain the enclosure clean and free of debris during the rest of the installation.
- B. Install the drywall. The drywall application should be flush with the front of the enclosure.
- A. *Despues de asegurar la caja entre postes, reemplace la cubierta protectora para proteger la caja de suciedad y escombros.*
- B. *Instale el drywall. El drywall debe estar al nivel de el frente de la caja.*



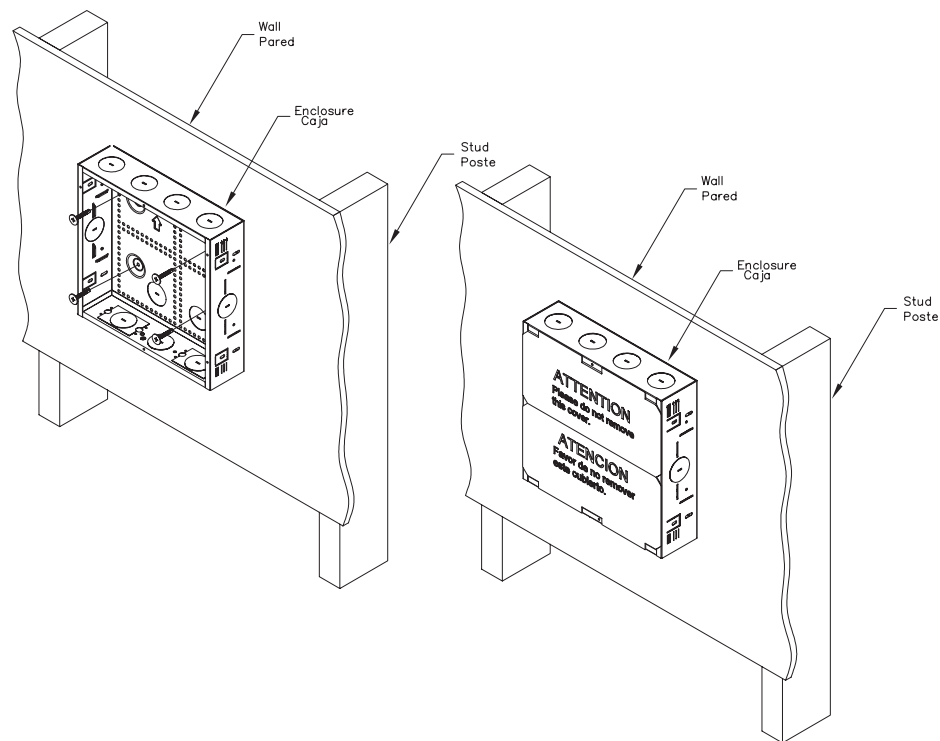
## Installation

### Instalacion

#### Surface Mounting

- A. Remove the enclosure from the master carton
- B. Remove the protective cover but do not discard the cover.
- C. Remove the knockouts that will be used.
- D. Install the required grommets.
- E. Position the enclosure in the desired location on the wall.
- F. Use the provided mounting screws to secure the enclosure with the surface.

- A. *Remueva la caja de su carton.*
- B. *Remueva la cubierta protectora pero **NO** la deseche.*
- C. *Remueva los knockouts de arriba, abajo, y los lados de la caja*
- D. *Instale lo cuachos*
- E. *Posicione la caja en el lugar deseado sobre la pared.*
- F. *Segure la caja con la pared usando los tornillos.*





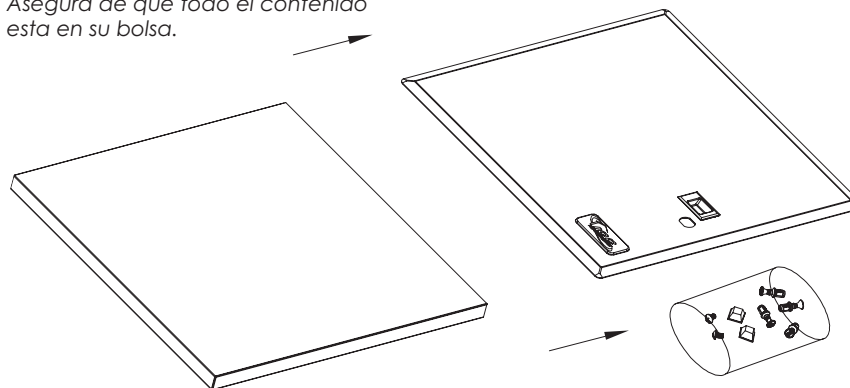
## Installation

## Instalacion

### STEP 7

A. Remove the door from its packaging carton. Make sure all of the bagged hardware is included in the carton.

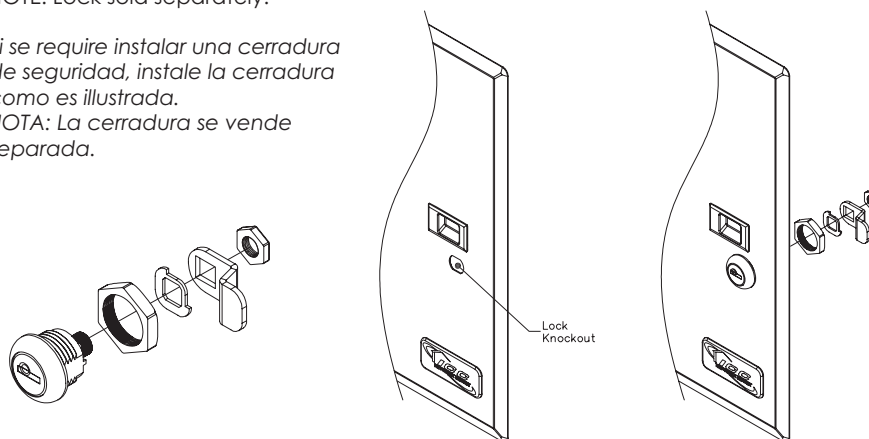
A. *Remueve el conjunto de la puerta de su carton. Asegura de que todo el contenido esta en su bolsa.*



### STEP 8 (If Required)

A. If the door requires to have a security lock installed, install the lock in the position shown below. If lock is not required proceed to install the door on the enclosure.  
NOTE: Lock sold separately.

A. *Si se requiere instalar una cerradura de seguridad, instale la cerradura como es ilustrada.  
NOTA: La cerradura se vende separada.*



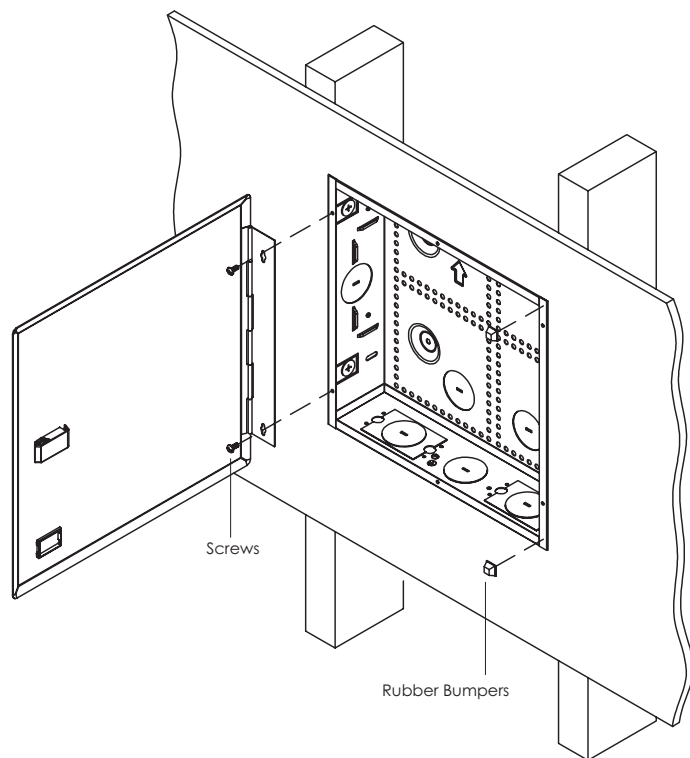
## Installation

### Instalacion

#### STEP 9

- A. Remove the protective cover.
- B. Screw the two (2) door screws on the enclosure, but do not tighten the screws completely.
- C. Install the door as shown
- D. Tighten the screws complete to secure the door with the enclosure.
- E. Install the rubber bumpers as shown.

- A. *Remueva la cubierta protectora.*
- B. *Atornille los dos (2) tornillos de la puerta en la caja pero no atornille los tornillos completamente.*
- C. *Instale la puerta como es ilustrada.*
- D. *Atornille completamente los tornillos de la puerta para asegurar la puerta con la caja.*
- E. *Instale los bumpers de coacho como es ilustrado.*

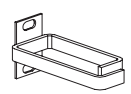


## Accessories

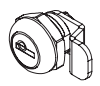
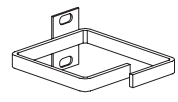
### Accesorios

**Additional accessories can be purchased separately to enhance installation of residential enclosure.**

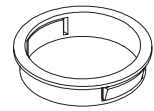
*Accesorios adicionales se vender separado para aumentar el maximo uso de su caja residencial.*



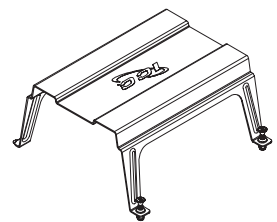
Cable Management Ring  
ICCMSCMPR1 & ICCMSCMPR2



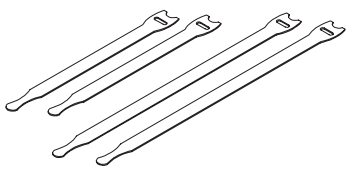
Door Lock  
ICRDSDC2LK



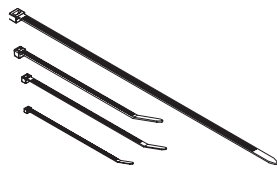
Plastic Grommets  
ICRESDCAC3



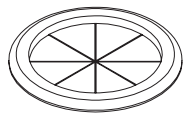
Cable Management Cover  
ICRESCMC06



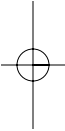
Velcro Cable Ties  
ICACSV08XX - 8"  
ICACSV12XX - 12"



Nylon Cable Ties  
ICACSSXXNL  
ICACSMXXNL  
ICACSLXXNL  
ICACSAE15L



Rubber Grommets  
ICRDSDCAC2

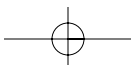


Structured Cabling Solutions

*Premium**Products** • Proven**Performance** • Competitive**Prices***

---

CUSTOMER CARE / TECHNICAL SUPPORT • CSR@ICC.COM / 888-ASK-4-ICC (275-4422)  
ICC.COM





## Residential Cabling Solutions

# 8-Port Telephone Module with RJ31X Jack

### INSTALLATION INSTRUCTIONS

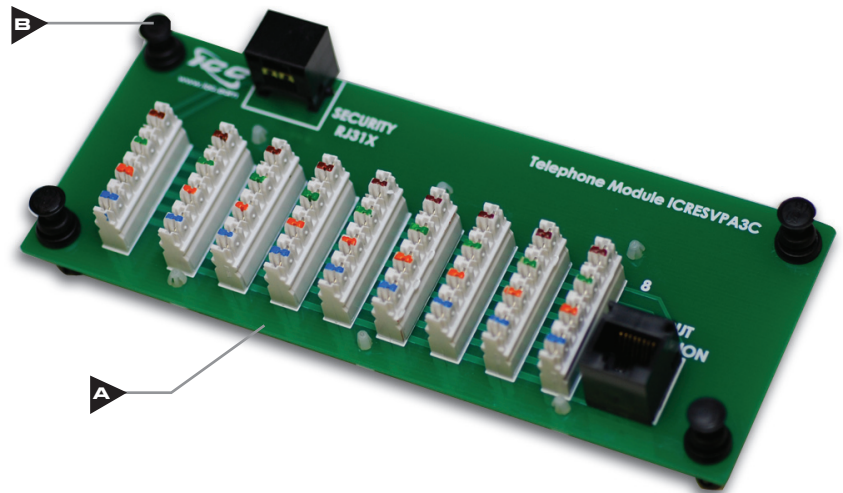
## Telephone Module with RJ31X Jack

ICC's Telephone Module with RJ31X Jack is an 8-port bridged telephone solution. The module offers a 110 IDC input and an expansion jack for additional connectivity. It supports up to 8 telephone outlets for phone, fax, modem devices, and has access up to 4 incoming phone lines.

### ICRESVPA3C

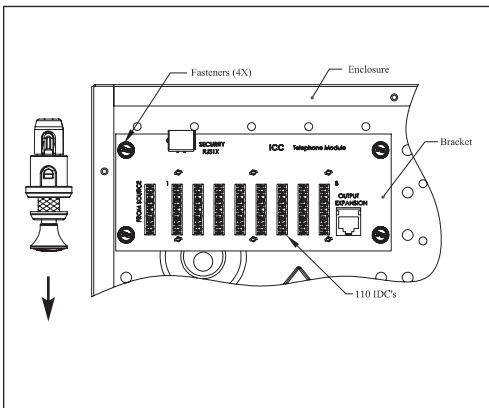
#### INCLUDES:

- A** 8-Port Telephone Module with RJ31X Jack, 1 piece
- B** Fasteners, 4 pieces



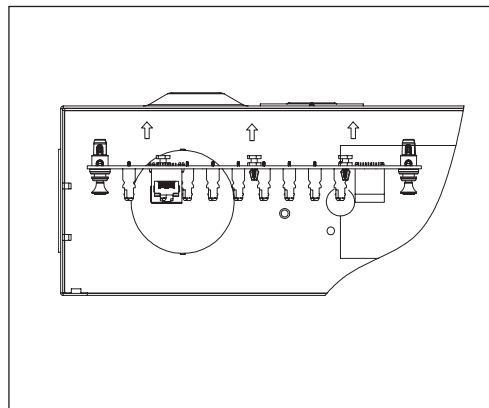
## ASSEMBLY INSTRUCTIONS

### Step 1.



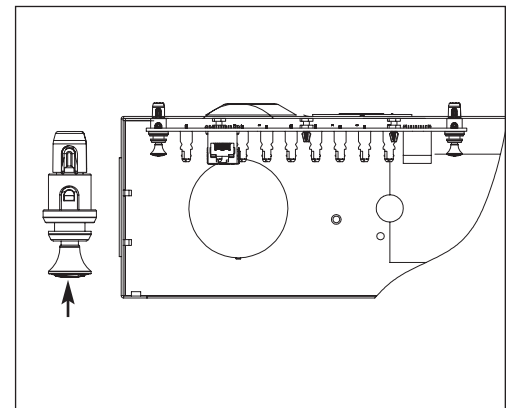
1. Place module horizontally and align fasteners with the peg board. Make sure the fasteners are **NOT** in locked positions.

### Step 2.



2. Push the module so that the fasteners go into the peg board of the enclosure.

### Step 3.

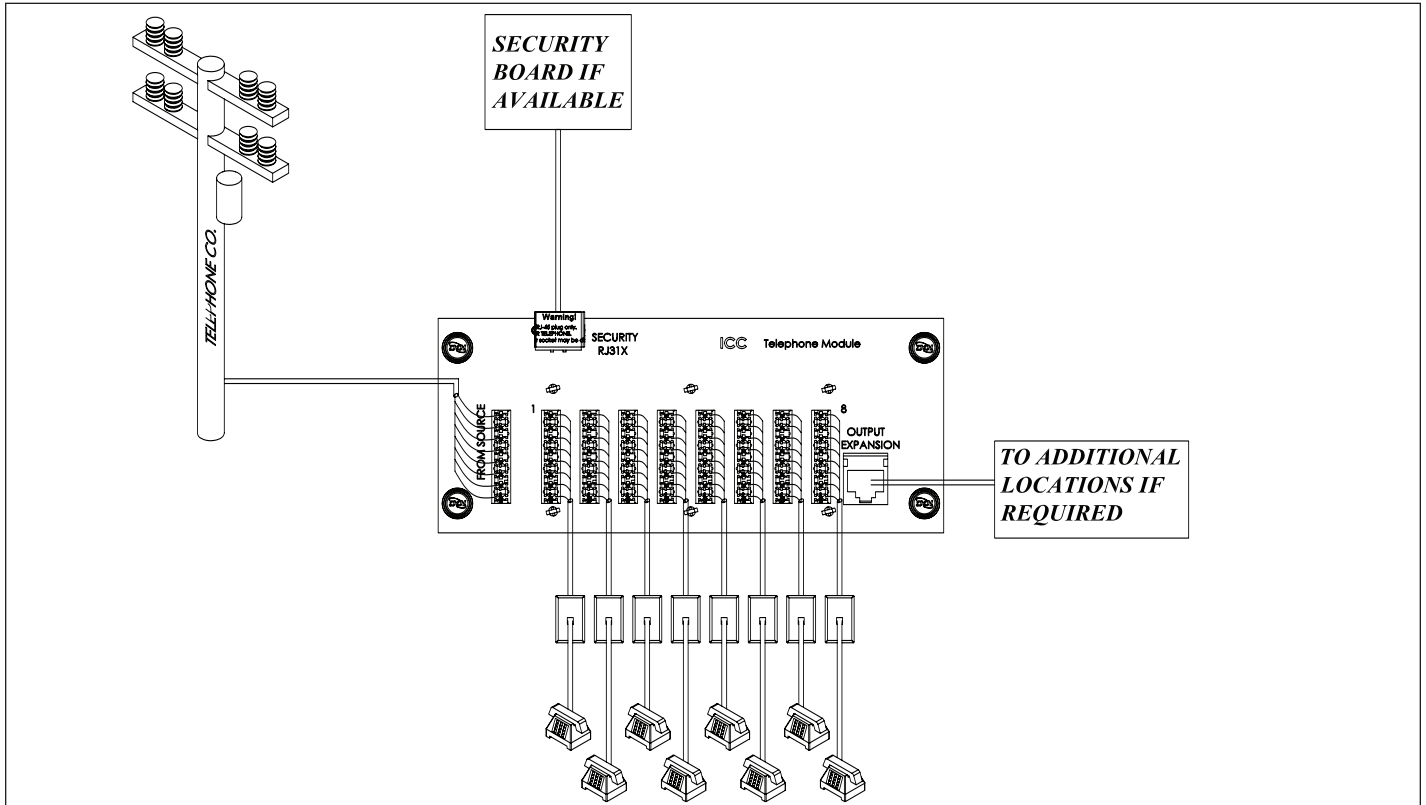


3. Once the module bracket is in the desired location, push the fasteners to their lock position.

**CUSTOMER CARE / TECHNICAL SUPPORT • CSR@ICC.COM / 888-275-4422 (ASK-4-ICC)**  
**16800 Edwards Road, Cerritos CA 90703 • 562-356-3111 • Fax 562-356-3100**

# ASSEMBLY INSTRUCTIONS

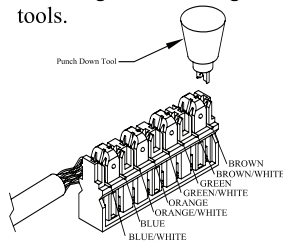
## Step 4.



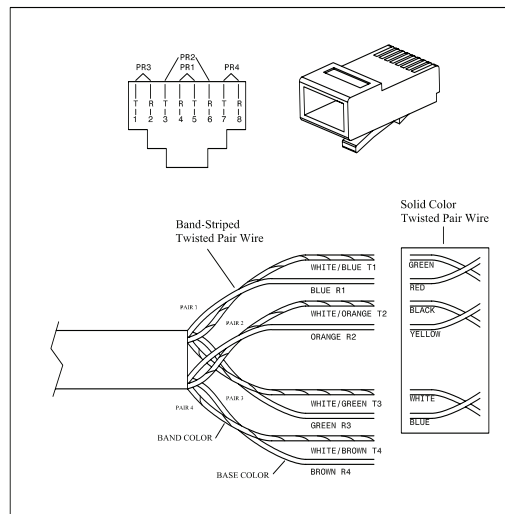
**Fig 4.**  
Telephone Module With RJ31x Setup

### Wiring a 110 Connector

1. Strip 2" of cable jacket.
2. Untwist about 0.5" wire and keep jack close to 110 connector
3. According to the color code only use a 110 punch down tool to push the wire between the contact blades. Or wire may be damaged when using other tools.



**Fig 4.**  
Wiring



**Fig 5.**  
RJ-45 Jack

4. Connect the incoming phone line to the 110 IDC labeled "From Source." Use a 110 punch down tool to terminate each wire between contact blades. Identify each outlet cable and connect to 110 block labeled "To Location." Punch down twisted pairs depending on which lines are desired to be activated at each location.

NOTE: Line#1 = Blue, Line#2 = Orange, Line#3 = Green, Line#4 = Brown

Example: Each 110-block represents one location. If you want to activate Line#1 at Location#1, simply punch down the twisted pair (White Blue/Blue) to the first 110-block. If you want to use a 2-line phone (Line#1 & Line#2) at Location#1, simply punch down twisted pairs (White Blue/Blue & White Orange/Orange) to the first 110-block to support 2-line phone.

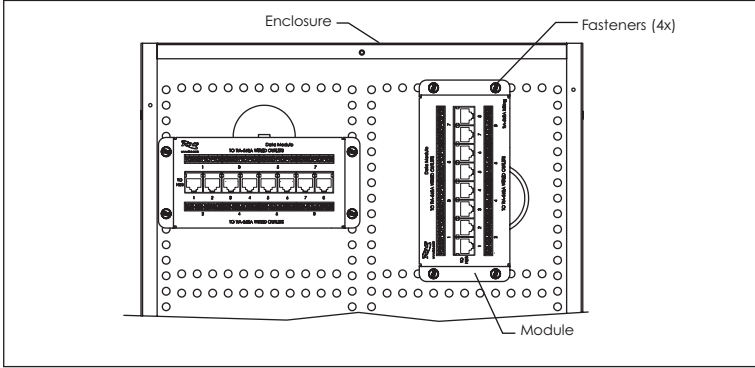
WIRE INSTALLATION: For 110 IDC connector, follow the wire color-code and only use the 110 punch-down tool to terminate the wire between the contact blades.

RJ-45 Jacks: Phone and data lines are wired according to the TIA T-568-A standard.

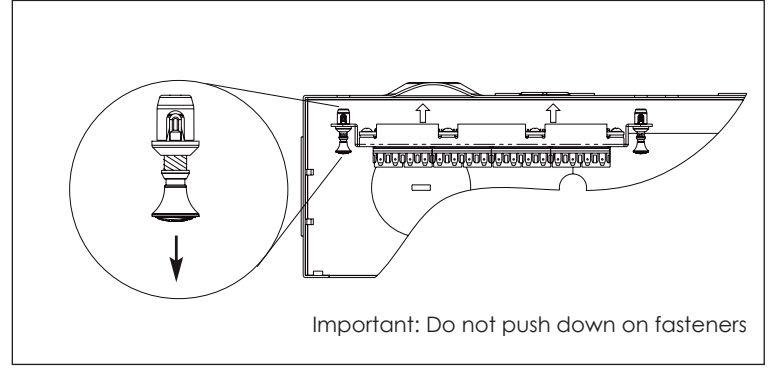


# Residential Data Module Category 5e & Category 6

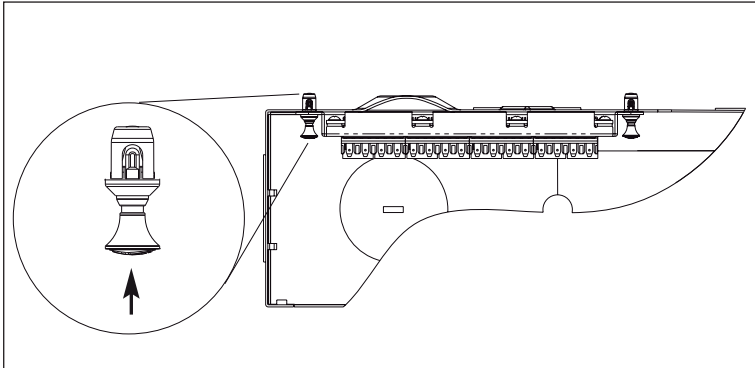
## INSTALLATION INSTRUCTIONS



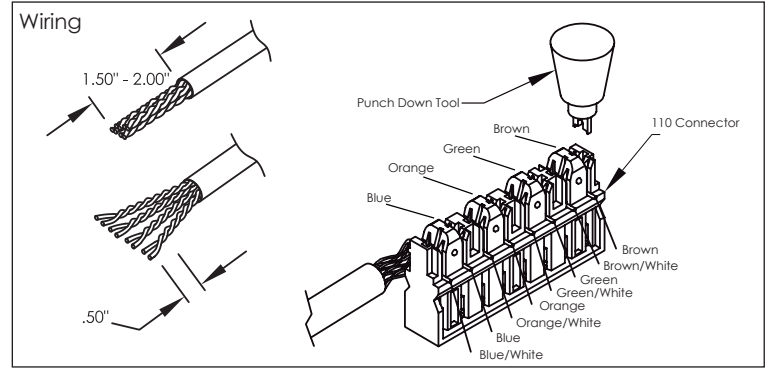
Step 1: Place module horizontally or vertically and align fasteners with the hole pattern.



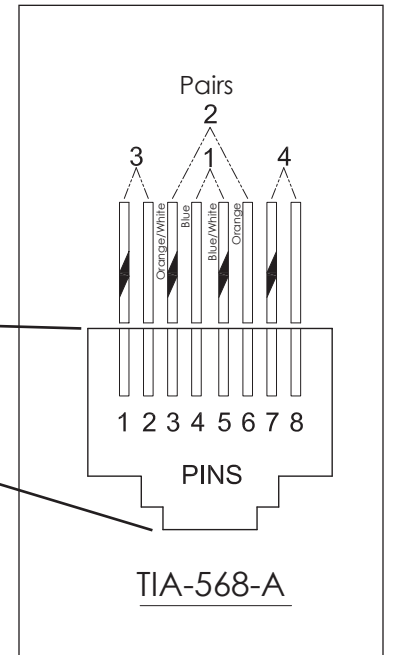
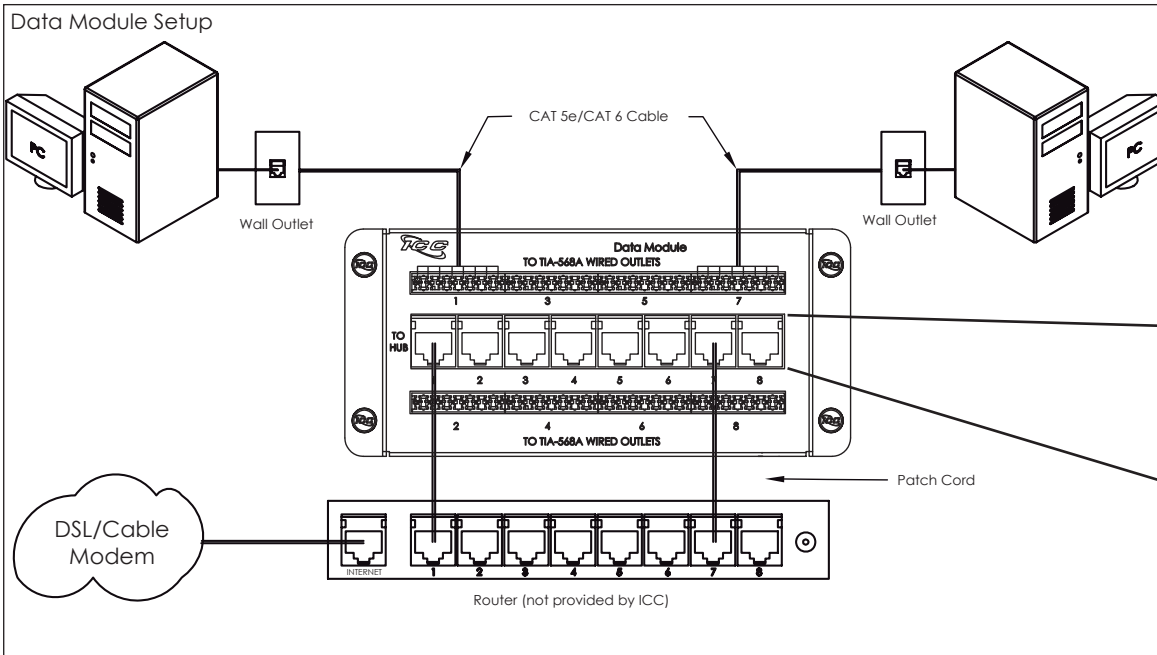
Step 2: Push the module so that the fasteners go into the hole pattern of the enclosure. Make sure fasteners are NOT in locked positions.



Step 3: Once module is in the desired location, push the fasteners to the locked position.



Step 4a: Terminate as indicated. Follow the color-code and only use 110 punch-down tool to terminate the wires. TIA-570 residential wiring standard specifies TIA-568-A color code wiring as the standard for residential installations.



Step 4b: This module supports data connections for 8 locations. Connect one end of a patch cord to a jack and the other end to the router after identifying the port you want to activate.

It is important to follow TIA-568-A wiring because it allows pair 1 and 2 to be used for phone applications, up to 2 lines.

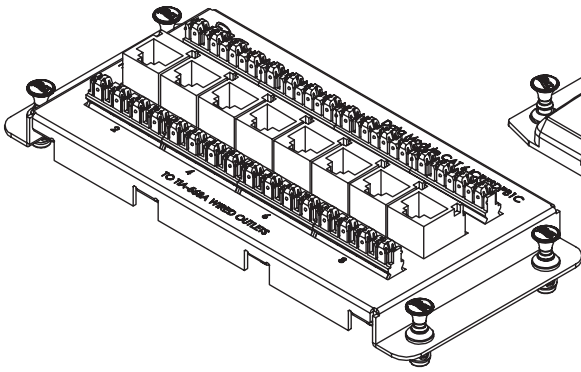
888-ASK-4ICC

csr@icc.com

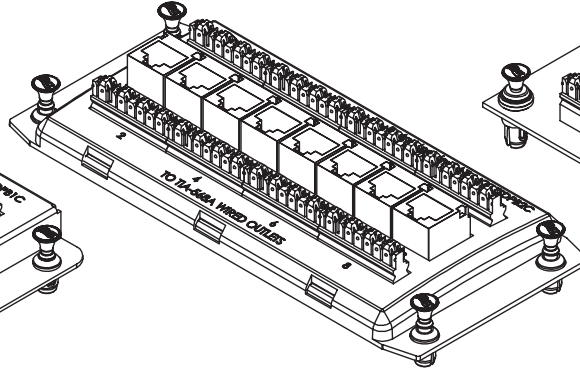
icc.com

# Residential Data Module Category 5e & Category 6

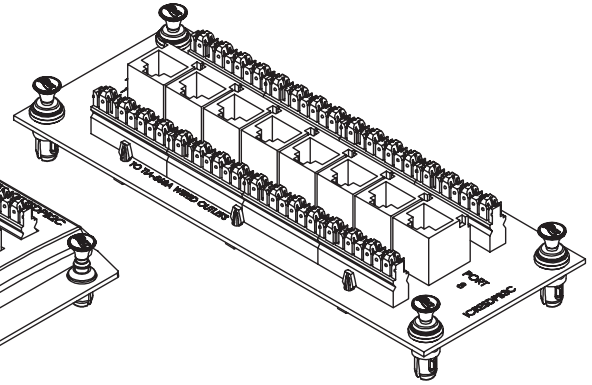
## INSTALLATION INSTRUCTIONS



Premier - Steel Bracket



Deluxe - ABS Plastic Bracket



Compact - PCB board without bracket

Part Number	Description
ICRESDPB1C	Premier CAT 6 Data Module, 8-Port
ICRESDPA1C	Premier CAT 5e Data Module, 8-Port

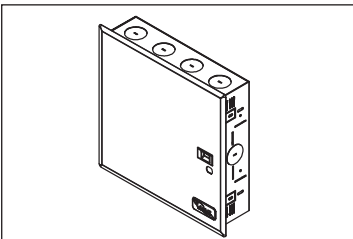
Part Number	Description
ICRESDPB2C	Deluxe CAT 6 Data Module, 8-Port
ICRESDPA2C	Deluxe CAT 5e Data Module, 8-Port

Part Number	Description
ICRESDPB3C	Compact CAT 6 Data Module, 8-Port
ICRESDPA3C	Compact CAT 5e Data Module, 8-Port

## FEATURES AND BENEFITS

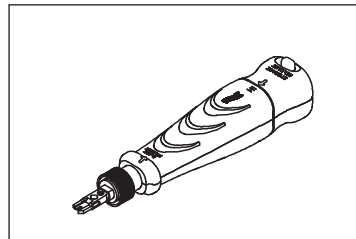
- Provides network interface for local area network applications such as cable or DSL services
- Supports up to eight data lines
- Designed and engineered with 110-type IDC connectors to provide secure terminated wiring
- Designed for installation in ICC Net.Media Centers
- Modules meet or exceed TIA performance standards

## OPTIONAL ACCESSORIES



**Net.Media Center Enclosures**

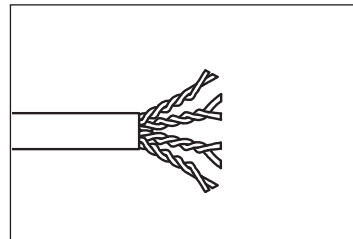
- ICRESDC9PE** 9" Enclosure
- ICRESDC14E** 14" Enclosure
- ICRESDC21E** 21" Enclosure
- ICRESDC28E** 28" Enclosure
- ICRESDC42E** 42" Enclosure
- 9", ABS plastic base with cover
- 14" - 42", 20 AWG steel base with door



**Single Blade Punch-Down Tool**

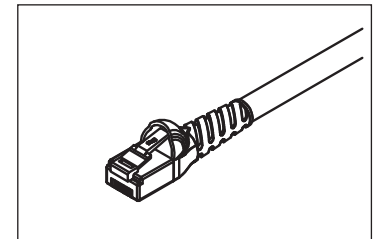
**ICACSPDT00** Single Blade Tool

- Designed for both 110-type IDC & 66 single-wire termination
- Both blades included
- Adjustable impact settings
- Comfortable grip



**Premise Cabling**

- ICCABP5Exx<sup>1</sup>** CAT 5e 350MHz, CMP 24AWG
- ICCABR5Exx<sup>2</sup>** CAT 5e 350MHz, CMR 24AWG
- ICCABP6Exx<sup>1</sup>** CAT 6e 600MHz, CMP 23AWG
- ICCABR6Exx<sup>2</sup>** CAT 6e 600MHz, CMR 23AWG
- Rip cord provides easy jacket removal
- 4-Pair, 1000 ft. roll, solid cable



**Patch Cords**

- ICPCSJzzxx<sup>1</sup>** CAT 5e, 4 UTP, 24AWG
- ICPCSKzzxx<sup>1</sup>** CAT 6, 4 UTP, 24AWG
- Slim boots fit narrow port spacing
- UL listed
- Factory tested and wired T568

<sup>1</sup>xx denotes color - BK-Black, BL-Blue, GN-Green, GY-Gray, OR-Orange, RD-Red, WH-White, YL-Yellow  
<sup>2</sup>xx denotes color - BL-Blue, GY-Gray, WH-White, YL-Yellow, GN-Green  
 zz denotes length - 01, 03, 05, 07, 10, 14, 25 feet

<sup>1</sup>xx denotes color - BL-Blue, GY-Gray, WH-White, YL-Yellow, GN-Green  
<sup>2</sup>xx denotes color - BL-Blue, GY-Gray, WH-White, YL-Yellow, GN-Green

888-ASK-4ICC

csr@icc.com

icc.com





## Residential Cabling Solutions

# Deluxe Series Video Splitter Modules

### INSTALLATION INSTRUCTIONS

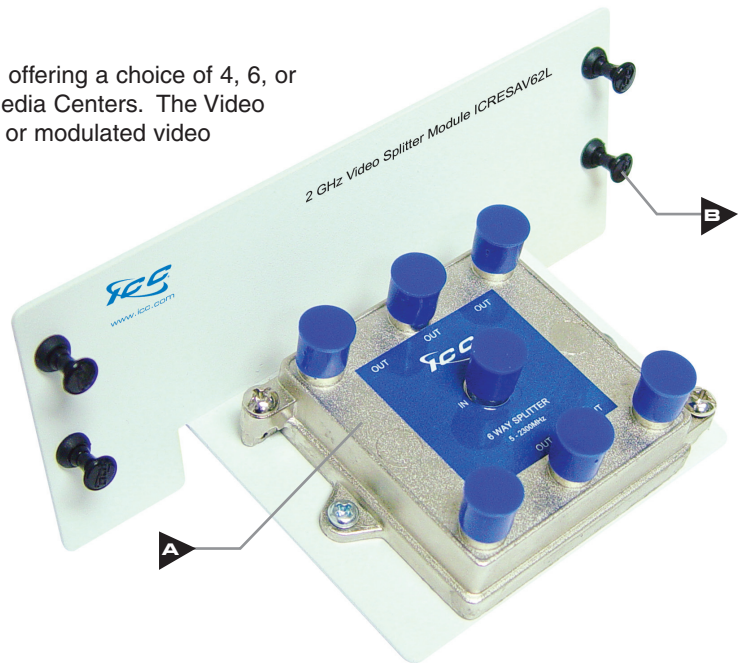
## Video Splitter Modules

2 GHz Video Splitters can support up to eight locations, offering a choice of 4, 6, or 8-ports, and are designed for installation in ICC's Net.Media Centers. The Video Splitters receive and distribute CATV, antenna, satellite, or modulated video signals up to eight analog or digital television sets.

**ICRESAV42L**  
**ICRESAV62L**  
**ICRESAV82L**

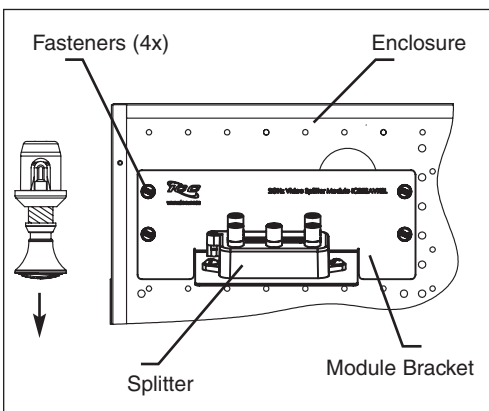
### INCLUDES:

- A** 2 GHz Video Splitter, 1 piece
- B** Fasteners, 4 pieces



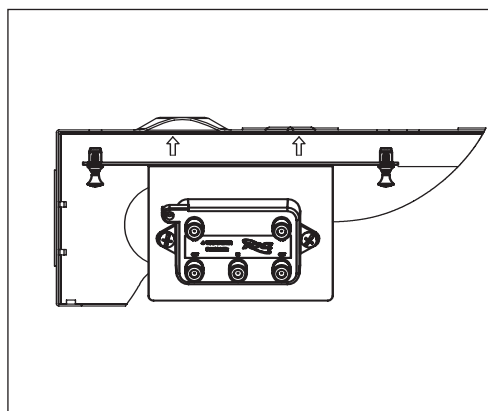
## ASSEMBLY INSTRUCTIONS

### Step 1.



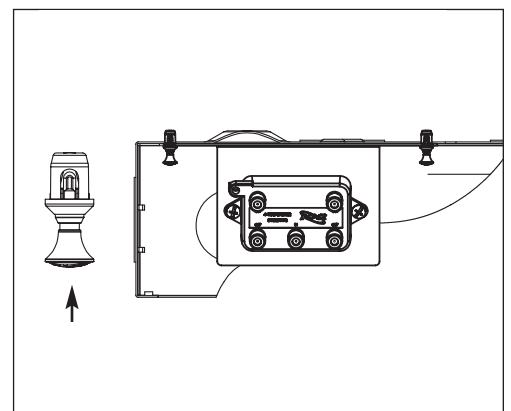
1. Place module horizontally and align fasteners with the peg board. Make sure the fasteners are **NOT** in locked positions.

### Step 2.



2. Push the module so that the fasteners goes into the peg board of the enclosure.

### Step 3.



3. Once module bracket is in the desired location, push the fasteners to their lock position.

**CUSTOMER CARE / TECHNICAL SUPPORT • CSR@ICC.COM / 888-275-4422 (ASK-4-ICC)**  
**16800 Edwards Road, Cerritos CA 90703 • 562-356-3111 • Fax 562-356-3100**

# ASSEMBLY INSTRUCTIONS

## Step 4.

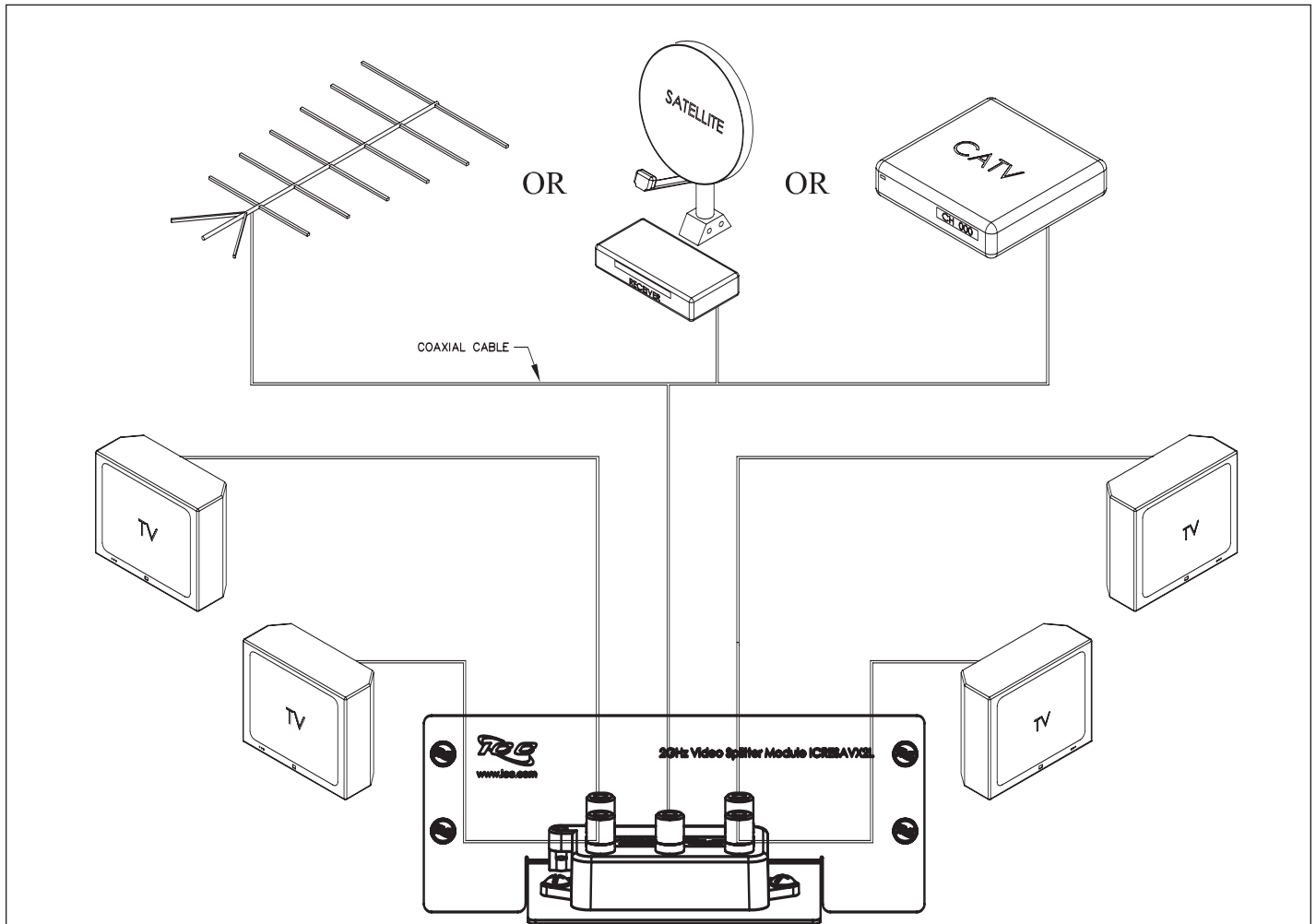
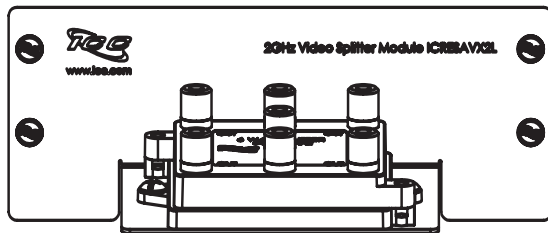
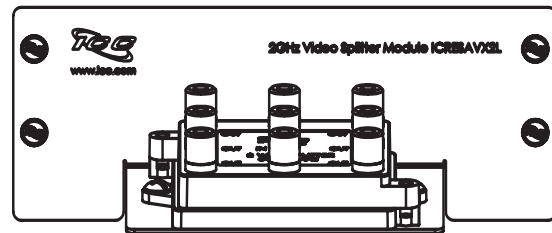


FIG 3.  
Video Splitter Setup

### ALSO AVAILABLE



2 GHz 1 X 6 Video Splitter Module - ICRESAV62L



2 GHz 1 X 8 Video Splitter Module - ICRESAV82L

4. Prepare an incoming coaxial cable and outgoing coaxial cable by using ICC's coax cable stripper tool (ICACSCSCTV), All-in-One Universal Compression tool (ICACSCCT01U), and F-type compression connectors (ICRDSAV01F for RG-6, and ICRDSAV04F for RG-6 Quad-Shield). Connect the incoming cable to the "IN" port of the splitter and the outgoing coaxial cables to the "OUT" ports. The "OUT" ports route the video signal to each location.